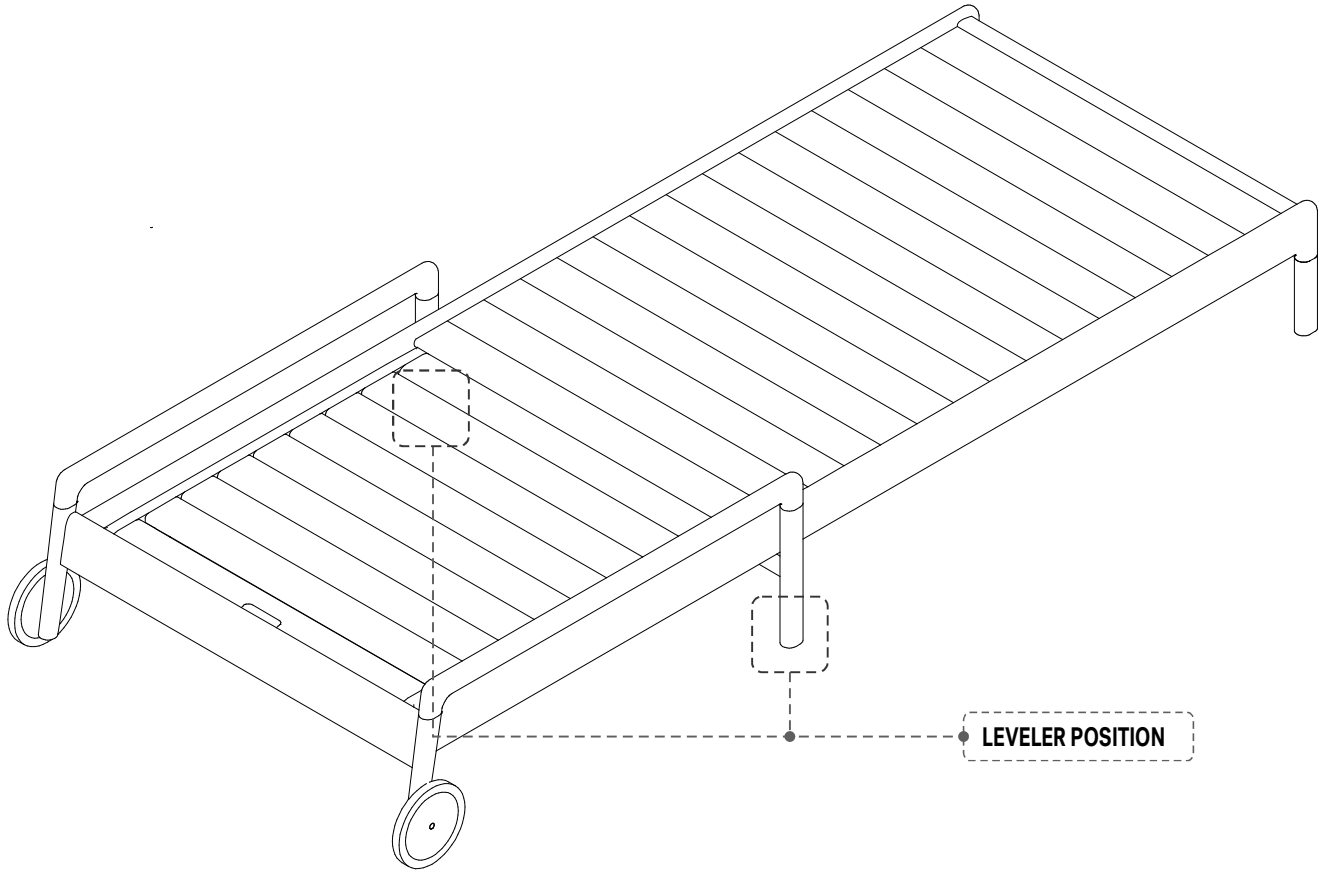


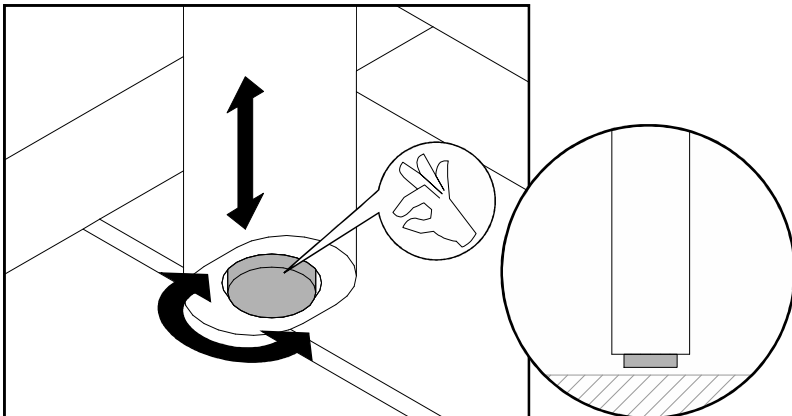
Ethnicraft

TEAK JACK OUTDOOR DAYBED

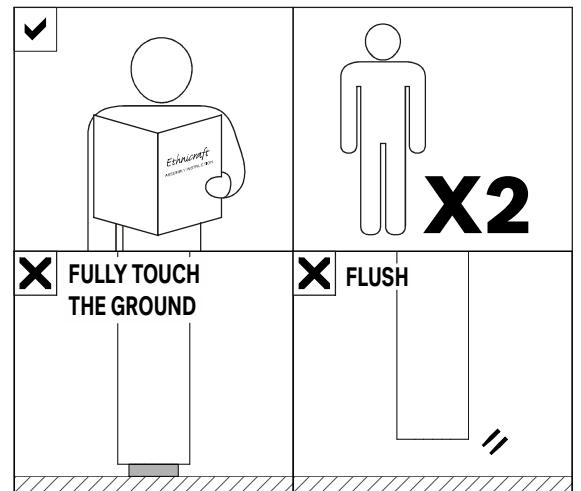
ASSEMBLY INSTRUCTION FOR ADJUSTING LEVELER



ADJUST LEVELER



NOTICE



IMPORTANT NOTICE :

**TO PREVENT WARPING, BEFORE USING A DAYBED,
ALWAYS ADAPT THE ADJUSTABLE GLIDES OF THE MIDDLE LEGS TO THE GROUND SURFACE.
FOR STABILITY, MIDDLE LEGS NEED TO BE SLIGHTLY SHORTER.**